

Trench drain mini shallow body with integral cast iron rails - 39.40" (1000mm) length

Channel body FILCOTEN® pro – G 200 (8") mini shallow body – extra heavy duty series

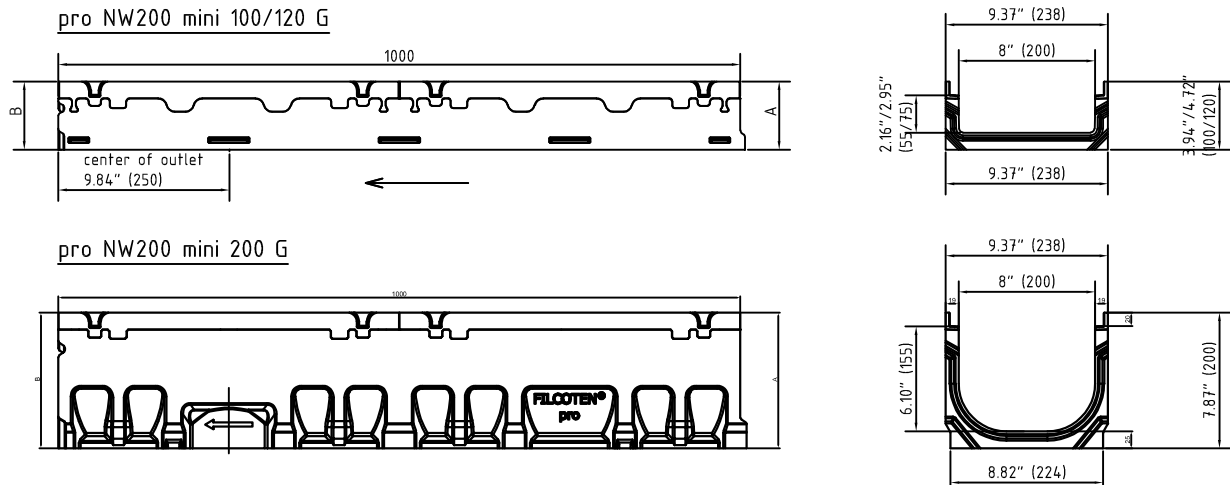
	Body part number			Overall body depth		Maximum flow rate			Weight (less grate)	
	cast iron rails l)	Channel type	Slope	A (Min.)	B (Max.)	GPM *)	LPS *)	CFS *)	Lbs	Kg
○	10520102	mini 100	0 %	3.94" (100 mm)	3.94" (100 mm)	47.60	3.00	0.11	47.62	21.6
○	10520100	mini 120	0%	4.72" (120 mm)	4.72" (120 mm)	79.30	5.00	0.18	52.91	24.0
○	10520101	mini 200	0%	7.87" (200 mm)	7.87" (200 mm)	79.30	5.00	0.18	68.78	31.2

1) With cast-iron rail, tested up to cl. F 900 acc. to EN 1433. Installation according to the manufactures installation instructions.

*) GPM = Gallons per minute, LPS = Liters per second, CFS = Cubic feet per second

SPECIFICATION: FILCOTEN pro-G NW200 mini shallow, 9.37" (238mm) wide, 39.40" (1000mm) long, 3.94"/4.72"/7.87" (100/120/200 mm) height, neutral FILCOTEN trench drain system. Body is manufactured from a fibre-reinforced concrete based material. Bodies have interlocking ends, a radiused extract for efficient liquid drainage and a multiple anchoring ribs to securely hold the body into the concrete foundation. Each body is manufactured with an integral 0.20" (5mm) thick, extra heavy duty cast iron rails. Bottom outlets are available in 4"/6"/8" (100/150/200mm) No Hub bottom outlet connections. Grate options include heavy duty stainless steel and galvanized steel, and extra heavy duty ductile iron (Load Class A - F). Grates are secured to the body with a four point self-locking system or four times bolting system. End caps are also available.

FUNCTION: Used in commercial areas such as factories, warehouses, parking garages, car dealerships, gas stations, public and residential areas, parks, sports complexes, town squares, railway stations and cycle and foot paths. Ideal for environmentally sensitive areas because the body channels are free of resins, heavy metals, VOC and chemicals. Exceptional adhesion to surrounding concrete foundation due to the concrete composition of the body channels - resulting in a monolithic all concrete installation. Less breakage during transport and installation due to impact resistant, fibre-reinforced, UV resistant concrete material. Extra heavy duty integral cast iron rails allows for extra heavy duty commercial solid tire traffic patterns, hard wheel traffic applications.



Accessories FILCOTEN® pro – G 200 (8") mini shallow – extra heavy duty series

	Item Nno.	Accessories	Material	LBS	kg
○	19020200	Front/end cap mini galvanized steel (BH 100/120)	galvanized	0.66	0.3
○	19020230	Front/end cap mini galvanized steel (BH 200)	galvanized	1.76	0.8
○	19011204	4" No Hub bottom outlet	galvanized	0.66	0.3
○	19016206	6" No Hub bottom outlet	galvanized	1.32	0.6
○	19021208	8" No Hub bottom outlet	galvanized	2.20	1.0

1) Mini shallow trench drain can be connected with 4" / 6" / 8" No Hub bottom outlet

MATERIALS: Channels shall be manufactured from Filcoten fiber composite with concrete edge cast iron rail. Minimum properties of Filcoten fiber composite will be as follows:	Compressive strength: 11700 PSI	Non flammable: YES
Flexural strength: 1700 PSI	Free of release agents: YES	U/V resistant: YES
Water absorption sufficient for adhesion with concrete surfaces: YES		Recyclable 100%: YES
		Dilute acid and alkali resistant: YES
		Frost thaw salt tested as per EN1433 with a test temperature up to -40°C (-40°F): YES
		Material free of VOC, biocides, heavy metals: YES