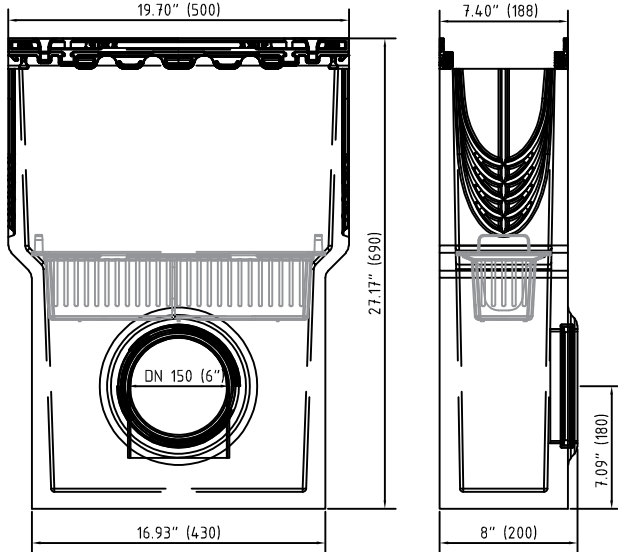


Accessories

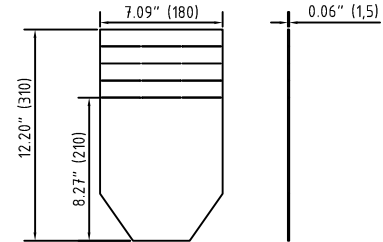
- Sump unit: 19015192
 (including: Silt bucket: 22516)

G 10615190

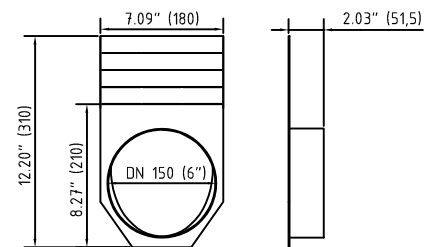


- End cap:

19015215



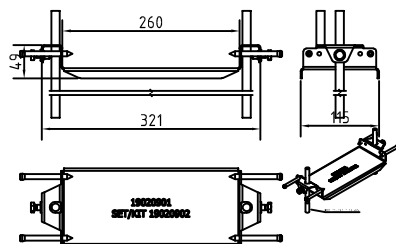
19015216



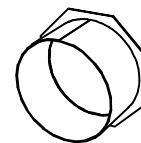
Accessories FILCOTEN® pro – G 150 (6") – extra heavy duty series

	Item Nno.	Accessories	Material	Weight	
				LBS	kg
○	10615192	Catch basin 6" KIT with cast iron rails and 6" outlet with seal, including sediment bucket	FILCOTEN	99.87	45.3
○	19015215	Front/end cap galvanized steel (for channels 0 up to 20-0)	galvanized	1.10	0.5
○	19015216	6" No Hub end cap outlet	galvanized	1.54	0.7
○	19016206	6" No Hub bottom outlet	galvanized	1.32	0.6
○	19020902	Support d'installation	Acier	1.78	0.8
○	19015295	Step connector plate NW150 pro 0/10-0/20-0	galvanized	0.44	0.2

- Rebar Support 19020902:



- Bottom outlet 19016306:



* See detailed spec sheets for the Rebar support.