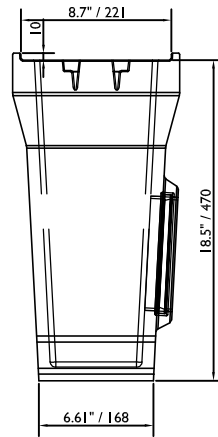
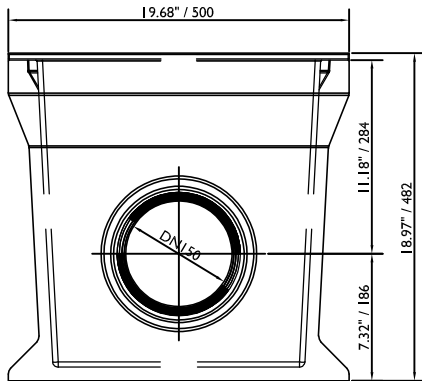
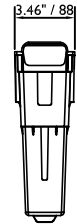
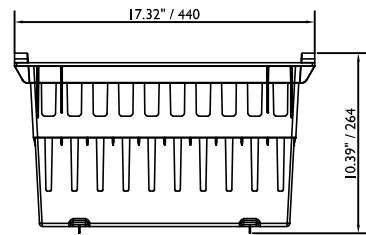


Accessories

Outlet-unit base-part



Sediment bucket

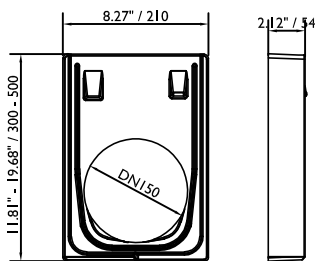


Accessories FILCOTEN® one, nominal width 150mm / 6" – heavy duty series

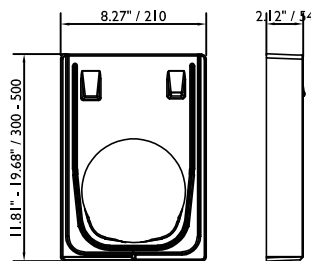
	Item no.	Accessories	Material	Weight	
				Kg	Lbs
<input type="radio"/>	15015180	Maintenance unit with ductile iron grating, no. 0, L = 1000 mm /39.37"	FILCOTEN	83.0	182.98
<input type="radio"/>	15015188	Maintenance unit with ductile iron grating, no. 40-0, L = 1000 mm /39.37"	FILCOTEN	111.0	244.71
<input type="radio"/>	15015170	Outlet unit upper part, with ductile iron grating, no. 0, L = 1000 mm /39.37"	FILCOTEN	79.0	174.16
<input type="radio"/>	15015178	Outlet unit upper part, with ductile iron grating, no. 40-0, L = 1000 mm /39.37"	FILCOTEN	108.0	238.09
<input type="radio"/>	19115095	Outlet unit lower part, outlet DN 150 / 6"	FILCOTEN	32.8	72.31
<input type="radio"/>	22510	BG sediment bucket for sump unit, plastic	plastic	0.4	0.88
<input type="radio"/>	19115100	Front / end cap, no. 0 , without outlet	FILCOTEN	7.2	15.87
<input type="radio"/>	19115108	Front /end cap, no. 40-0, without outlet	FILCOTEN	11.4	25.13
<input type="radio"/>	19115110	End cap with outlet, no. 0, outlet DN 150 / 6"	FILCOTEN	5.2	11.46
<input type="radio"/>	19515118	End cap with outlet, no. 40-0, outlet DN 150 / 6"	FILCOTEN	10.0	22.04
<input type="radio"/>	19115157	Adapter cap for stepped slope no. 0 / 40-0	FILCOTEN	9.1	20.06
<input type="radio"/>	19115900	Lifting-hook (consisting of 2 pcs.) for FILCOTEN one NW 150 / 6" , painted green	fabricated steel	1.9	4.19
<input type="radio"/>	19000701	Profile for joint sealing, no. 0, L= 630 mm /24.8"			
<input type="radio"/>	17000702	Profile for joint sealing, no. 40-0, L= 1040 mm / 40.94"			

1.) cl. F 900 type M, Set of monolithic channel, cast-iron edge and bolted ductile iron grating

Endplate (with outlet)



Frontplate (without outlet)



Adapter cap for stepped fall Nr.0 / 0-40

