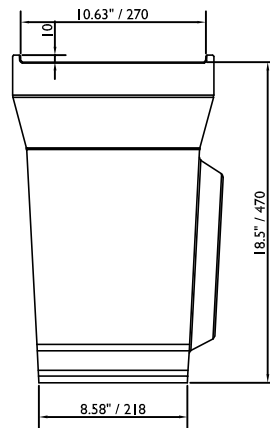
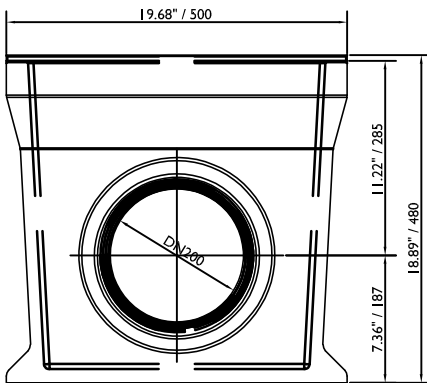
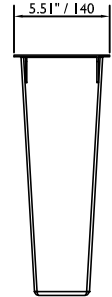
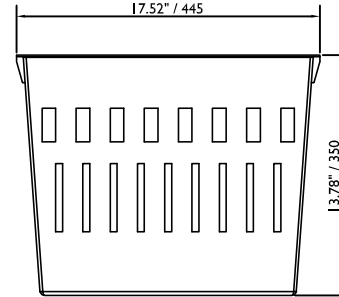


**Accessories**

**Outlet-unit base-part**



**Sediment bucket**

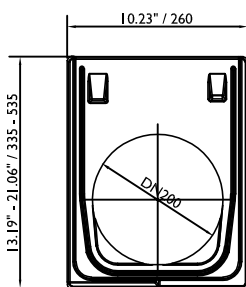


**Accessories FILCOTEN® one, nominal width 200mm / 8" – heavy duty series**

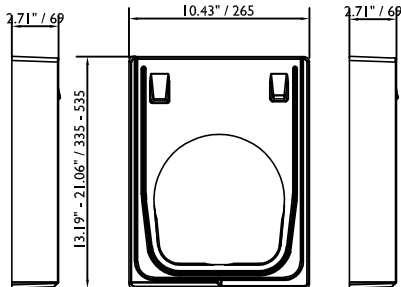
	Item no.	Accessories	Material	Weight	
				Kg	Lbs
<input type="radio"/>	15020180	Maintenance unit with ductile iron grating, no. 0, L = 1000 mm / 39.37"	FILCOTEN	101.0	222.66
<input type="radio"/>	15020188	Maintenance unit with ductile iron grating, no. 40-0, L = 1000 mm / 39.37"	FILCOTEN	133.0	293.21
<input type="radio"/>	15020170	Outlet unit upper part, with ductile iron grating, no. 0, L = 1000 mm / 39.37"	FILCOTEN	96.0	211.64
<input type="radio"/>	15020178	Outlet unit upper part, with ductile iron grating, no. 40-0, L = 1000 mm / 39.37"	FILCOTEN	128.0	282.09
<input type="radio"/>	19120095	Outlet unit lower part, outlet DN 200 / 8"	FILCOTEN	35.5	78.26
<input type="radio"/>	22511	BG sediment bucket for sump unit, plastic	plastic	0.7	1.54
<input type="radio"/>	19120100	Front / end cap, no. 0, without outlet	FILCOTEN	13.0	28.66
<input type="radio"/>	19120108	Front / end cap, no. 40-0, without outlet	FILCOTEN	21.0	46.29
<input type="radio"/>	19120110	End cap with outlet, no. 0, outlet DN 200 / 8"	FILCOTEN	805.0	18.74
<input type="radio"/>	19120118	End cap with outlet, no. 40-0, outlet DN 200 / 8"	FILCOTEN	16.5	36.37
<input type="radio"/>	19120157	Adapter cap for stepped slope no. 0 / 40-0	FILCOTEN	12.5	27.56
<input type="radio"/>	19120900	Lifting-hook (consisting of 2 pcs.) for FILCOTEN one NW 200 / 8", painted black	fabricated steel	2.1	4.63
<input type="radio"/>	19000703	Profile for joint sealing, no. 0, L= 750 mm / 29.5"			
<input type="radio"/>	19000704	Profile for joint sealing, no. 40-0, L= 1130 mm / 44.49"			

1.) cl. F 900 type M, Set of monolithic channel, cast-iron edge and bolted ductile iron grating

**Endplate (with outlet)**



**Frontplate (without outlet)**



**Adapter cap for stepped fall Nr.0 / 0-40**

