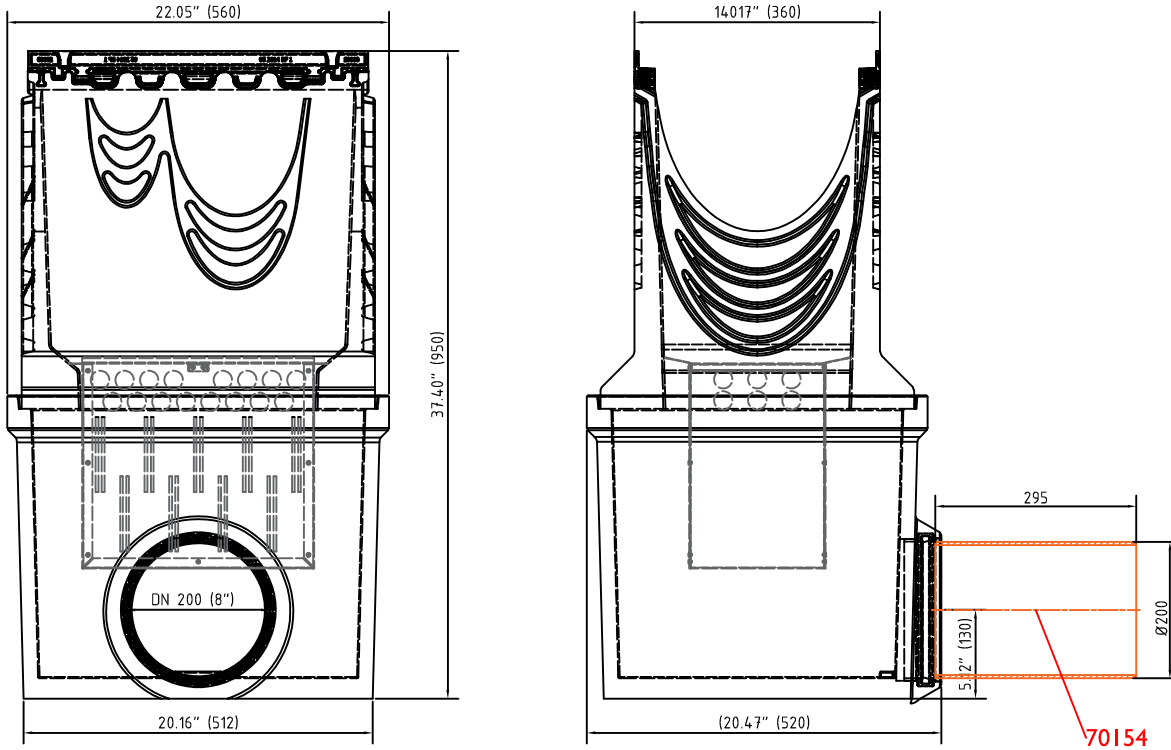


**Accessories**

- 1. Sump unit:  
 (includes: Silt bucket: 22213)

10630192



**Accessories FILCOTEN® pro – G 300 (12") – extra heavy duty series**

	Item Nno.	Accessories	Material	Weight	
				LBS	kg
○	10630192	Catch basin 12" with cast iron rails and 8" outlet with seal, incl. sediment bucket	FILCOTEN	280.42	127.2
○	19030213	Front/end cap stainless steel	galvanized	3.75	1.7
○	19030214	End cap with outlet DN200	galvanized	3.52	1.6
○	19030290	End cap for catch basin with connection cut-outs	galvanized	3.75	1.7
○	19060020	Catch basin extension unit	FILCOTEN	93.69	42.5
○	19021208	8" No Hub outlet	galvanized	2.20	1.0
○	19030902	Rebar support	fabricated steel	2.64	1.2
○	19030295	Step connector plate NW300 pro 0/10-0/20-0	galvanized	0.92	0.4
○	70154	Pipe connector DN200, L=295mm	plastic	2.40	1.1

**MATERIALS:** Channels shall be manufactured from FILCOTEN® HPC (High Performance Concrete). Minimum properties of FILCOTEN® HPC will be as follows:

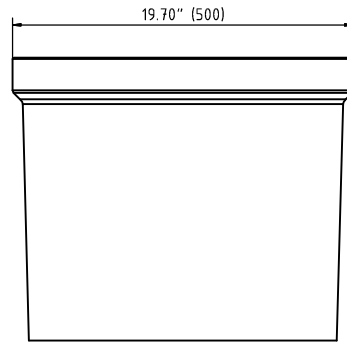
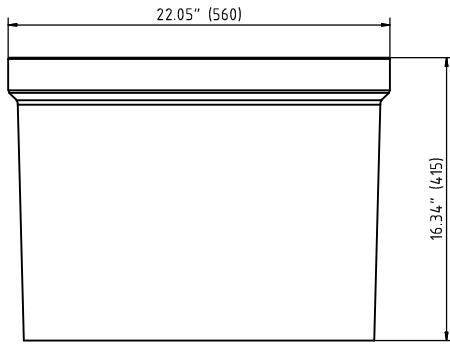
Compressive strength according to ASTM C39:	11700 PSI
Flexural strength:	1700 PSI
Free of release agents:	YES
Water absorption sufficient for adhesion with concrete surfaces:	YES
Non flammable:	YES

U/V resistant:	YES
Recyclable 100%:	YES
Dilute acid and alkali resistant:	YES
Frost thaw salt tested as per EN1433 with a test temperature up to -40°C (-40°F):	YES
Resistant to rapid freezing & thawing according to ASTM C666	YES
Resistant to chloride ion penetration according to ASTM C1202	YES
Material free of VOC, biocides, heavy metals:	YES

**Accessories (cont.)**

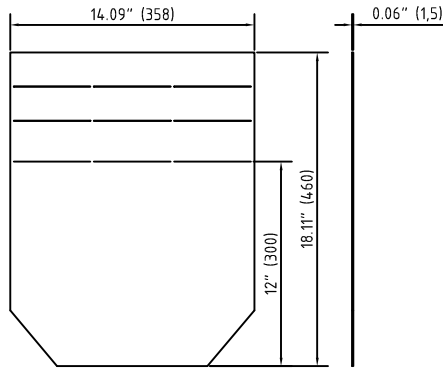
2. Catch basin extension unit:

19060020

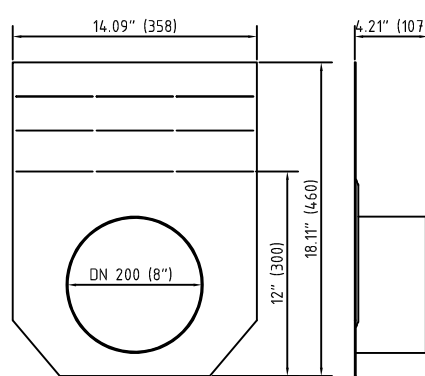


3. End cap:

19030213



19030214



4. Bolting material:

32110  
 (Ducfil iron grating)



32112  
 (Mesh grating)



5. End cap for catch basin with connection cut-outs:

19030290

