

**Trench drain body with integral galvanized steel rails - 39.40" (1000mm) length**

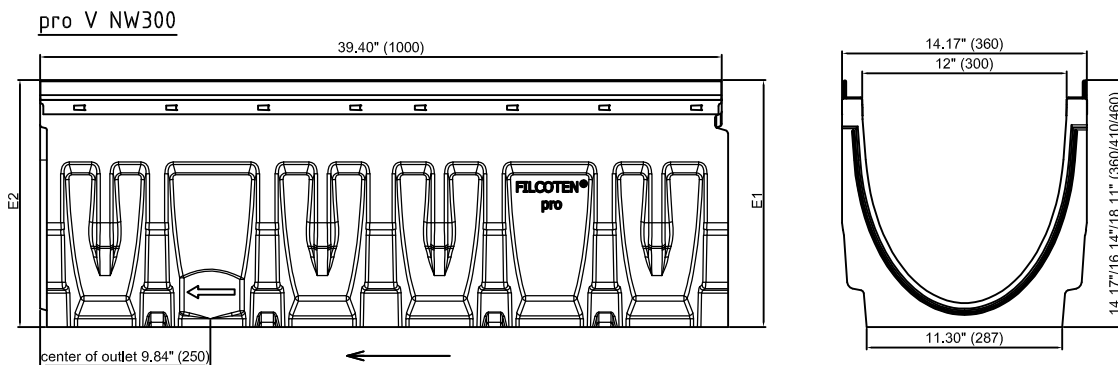
**Channel body FILCOTEN® pro – V 300 (12") – heavy duty series**

	Body part number			Overall body depth		Maximum flow rate			Weight (less grate)	
	galvanized rails	Channel type	Slope	E1 (Min.)	E2 (Max.)	GPM *)	LPS *)	CFS *)	Lbs	Kg
○	10630200	300/0	0 %	14.17" (360 mm)	14.17" (360 mm)	870.2	54.9	1.90	166.67	75.6
○	10630201	300/1	0.5 %	14.17" (360 mm)	14.37" (365 mm)				168.21	76.3
○	10630202	300/2	0.5 %	14.37" (365 mm)	14.57" (370 mm)				171.08	77.6
○	10630203	300/3	0.5 %	14.57" (370 mm)	14.76" (375 mm)				173.94	78.9
○	10630204	300/4	0.5 %	14.76" (375 mm)	14.96" (380 mm)				176.81	80.2
○	10630205	300/5	0.5 %	14.96" (380 mm)	15.15" (385 mm)				179.67	81.5
○	10630261	300/5-0	0 %	15.15" (385 mm)	15.15" (385 mm)	984.3	62.1	2.19	181.00	82.1
○	10630206	300/6	0.5 %	15.15" (385 mm)	15.35" (390 mm)				182.54	82.8
○	10630207	300/7	0.5 %	15.35" (390 mm)	15.55" (395 mm)				185.41	84.1
○	10630208	300/8	0.5 %	15.55" (395 mm)	15.75" (400 mm)				188.27	85.4
○	10630209	300/9	0.5 %	15.75" (400 mm)	15.94" (405 mm)				191.14	86.7
○	10630210	300/10	0.5 %	15.94" (405 mm)	16.14" (410 mm)				194.00	88.0
○	10630262	300/10-0	0 %	16.14" (410 mm)	16.14" (410 mm)	1103.2	69.6	2.50	195.33	88.6
○	10630211	300/11	0.5 %	15.94" (410 mm)	16.34" (415 mm)				196.65	89.2
○	10630212	300/12	0.5 %	16.34" (415 mm)	16.54" (420 mm)				201.28	91.3
○	10630213	300/13	0.5 %	16.54" (420 mm)	16.73" (425 mm)				206.13	93.5
○	10630214	300/14	0.5 %	16.73" (425 mm)	16.93" (430 mm)				210.76	95.6
○	10630215	300/15	0.5 %	16.93" (430 mm)	17.13" (435 mm)				215.39	97.7
○	10630216	300/16	0.5 %	17.13" (435 mm)	17.32" (440 mm)				220.24	99.9
○	10630217	300/17	0.5 %	17.32" (440 mm)	17.52" (445 mm)				224.87	102.0
○	10630218	300/18	0.5 %	17.52" (445 mm)	17.72" (450 mm)				229.50	104.1
○	10630219	300/19	0.5 %	17.72" (450 mm)	17.91" (455 mm)				234.13	106.2
○	10630220	300/20	0.5 %	17.91" (455 mm)	18.11" (460 mm)				239.98	108.4
○	10630264	300/20-0	0 %	18.11" (460 mm)	18.11" (460 mm)	1348.9	85.1	3.00	240.30	109.0

\*) GPM = Gallons per minute, LPS = Liters per second, CFS = Cubic feet per second

**SPECIFICATION:** FILCOTEN pro-V NW300, 14.17" (360mm) wide, 39.40"(1000mm) long, pre-sloped (0.5%) or neutral FILCOTEN trench drain system. Body is manufactured from a Filcoten High Performance Concrete (HPC) based material. Bodies have interlocking ends, a radiused extract for efficient liquid drainage and a multiple anchoring ribs to securely hold the body into the concrete foundation. Each body is manufactured with an integral 0.16" (4mm) thick, extra heavy duty, galvanized steel rails. End and bottom outlets are available in 8"(200mm) no hub outlet connections. Grate options include heavy duty mesh grating (Load Class C), heavy duty ductile iron (Load Class D), extra heavy duty ductile iron (Load Class D and E). Grates are secured to the body with a four point self-locking system or four point bolting system. End caps and catch basins are also available.

**FUNCTION:** Used in commercial areas such as factories, warehouses, parking garages, car dealerships, gas stations, public and residential areas, parks, sports complexes, town squares, railway stations and cycle and foot paths. Ideal for environmentally sensitive areas because the body channels are free of resins, heavy metals, VOC and chemicals. Exceptional adhesion to surrounding concrete foundation due to the concrete composition of the body channels - resulting in a monolithic all concrete installation. Less breakage during transport and installation due to impact resistant, fibre-reinforced, UV resistant concrete material. Extra heavy duty integral galvanized steel rail allows for extra heavy duty, commercial solid tire traffic patterns, hard wheel traffic applications.



**MATERIALS:** Channels shall be manufactured from FILCOTEN® HPC (High Performance Concrete). Minimum properties of FILCOTEN® HPC will be as follows:

Compressive strength according to ASTM C39:	11700 PSI
Flexural strength:	1700 PSI
Free of release agents:	YES
Water absorption sufficient for adhesion with concrete surfaces:	YES
Non flammable:	YES

UV resistant:	YES
Recyclable 100%:	YES
Dilute acid and alkali resistant:	YES
Frost thaw salt tested as per EN1433 with a test temperature up to -40°C (-40°F):	YES
Resistant to rapid freezing & thawing according to ASTM C666	YES
Resistant to chloride ion penetration according to ASTM C1202	YES
Material free of VOC, biocides, heavy metals:	YES